

The LXR Series Receiver features LED feedback and a J1939 CAN (Controller Area Network) connection. With internal processing capabilities, these robust industrial remote control receivers can be programmed to fit any application.

2.4 GHz General Specifications

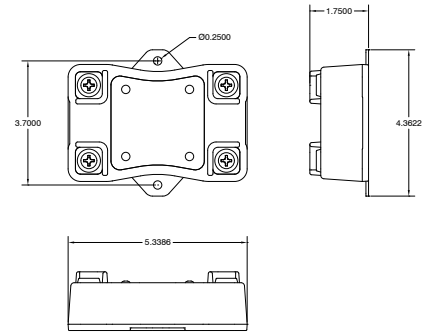
Frequency Range	2400 - 2483.5 MHz
Frequency Control	14 Frequency Hopping Channels (Software Selectable)
Modulation	DSSS (Direct Sequence Spread Spectrum)

900 MHz General Specifications

Frequency Range	ISM 902 MHz - 928 MHz
Frequency Control	64 Frequency Hopping Channels (Software Selectable)
Modulation	DSSS (Direct Sequence Spread Spectrum)

Receiver Specifications

LED Feedback	Power, Wireless Connectivity, CAN, Error
Charging	Magnetic charging station for LXT and LXH Transmitters
Mounting	Can accept RAM style ball mount
Connection	M16 Industrial Connector Interface to Machine
Security	Channelization, System ID, and Vendor ID
Ingress Protection	IP 67—With mating connector
Antenna	External
Dimensions	Approx. 4.75" x 4" x 1"
Weight	Approx. 11 oz.
Enclosure	ABS
Operating Temperature	-40C to 85C (-40F to 185F)
Humidity	Up to 90% RH, non-condensing



Receiver Specifications

Supply Voltage	9-36 VDC
CAN Connection	J1939 (2-wire)



 005WWCA0358
005WWCA0359