

Introducing the new LOR Control Module (LCM). Designed to monitor and control diesel powered machines. Multiple Inputs/Outputs allow for flexibility in designing OEM applications

## General Specifications

Weight	1 lbs
Operating Temp.	-40 to 170 °F
Ingress Protection	IP67
Voltage Supply	9 – 32 Vdc
Current Consumption	Outputs OFF – 110 mA (12 Vdc) 60 mA (24 Vdc)
CAN Protocol	SAE J1939

## User Interface

Display	128 x 64 pixel 2.83" Transflective Sun Light Readable Display
Backlight	Amber/Yellow/Green LED
LEDs	Warning and Shutdown Indicators for J1939 Engine Faults
Switches	4 IP67 Sealed Push Button Switches, Rated to 100,000 Cycles
Connection	31 Pin Deutsch Connector (Pin Out Below) Mating Half (HDP26-24-31 SE)

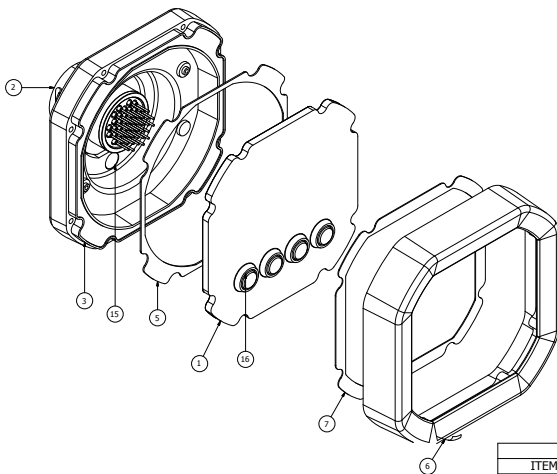
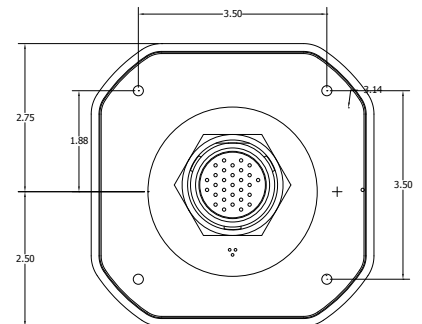
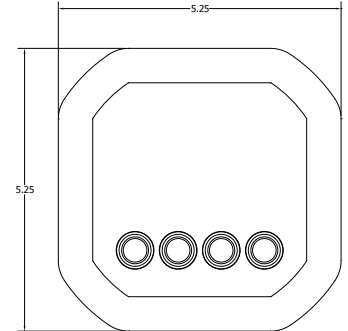
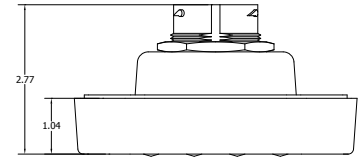
## Input Specifications

Voltage Inputs

Number	7
Signal Range	0 – 5 Vdc
Max Voltage	32 Vdc
Resolution	1.25 mV
Frequency Inputs	
Number	2
Frequency Range	1-20000 Hz
Min Signal Voltage	2 Vac

## Output Specifications

PWM Outputs	
Number	8
Type	High Side Switching (Hydraulic Solenoids, Horns, Lights, Relays etc)
Max Load	5 Amps per output
PWM Frequency	31 – 500 Hz
Duty Cycle Resolution	0.10%
Protection	Over Load Shutdown, Open Load Detection
Ground Output	
Number	1
Type	Low Side (Direct Input to ECM for Shutdown, Relay, Lamp)
Max Load	500 mA



Parts List			
ITEM	QTY	PART NUMBER	DESCRIPTION
1	1	FACE PLATE	3/16" MAKROLON POLYCARBONATE
2	1	31 PIN DEUTSCH CONNECTOR	GOLD CONTACT PINS (12.5 AMPS/ PIN)
3	1	ENCLOSURE BASE	HIGH IMPACT POLYSTYRENE PLASTIC
5	1	PRIMARY GASKET	1/16" CLOSED CELL FOAM
6	1	ENCLOSURE BEZEL	HIGH IMPACT POLYSTYRENE PLASTIC
7	1	SECONDARY GASKET	1/16" CLOSED CELL FOAM
15	1	GORETEX PATCH	PRESSURE EQUALIZATION
16	4	SEALED PUSH BUTTON SWITCH	100,000 CYCLES

## Applications

- Complete Machine Control
- J1939 Engine Traffic Monitor
- Hydraulic Control Operation

## Options

- Each LCM Controller is tailored specifically to the desired application. Therefore, the options are endless